

Store Fixtures



Reliant Industrial Corp. Limited

www.reliantchina.com www.reliantfixtures.com
1507, No.58, Shunde Road 136 Lane, Ningbo 315012, China
Tel: +86 574 87462926 Fax: +86 574 87492421
Cell: +86 13957874088/13957807235
sales@reliantchina.com zhangcc@reliantchina.com



WELCOME

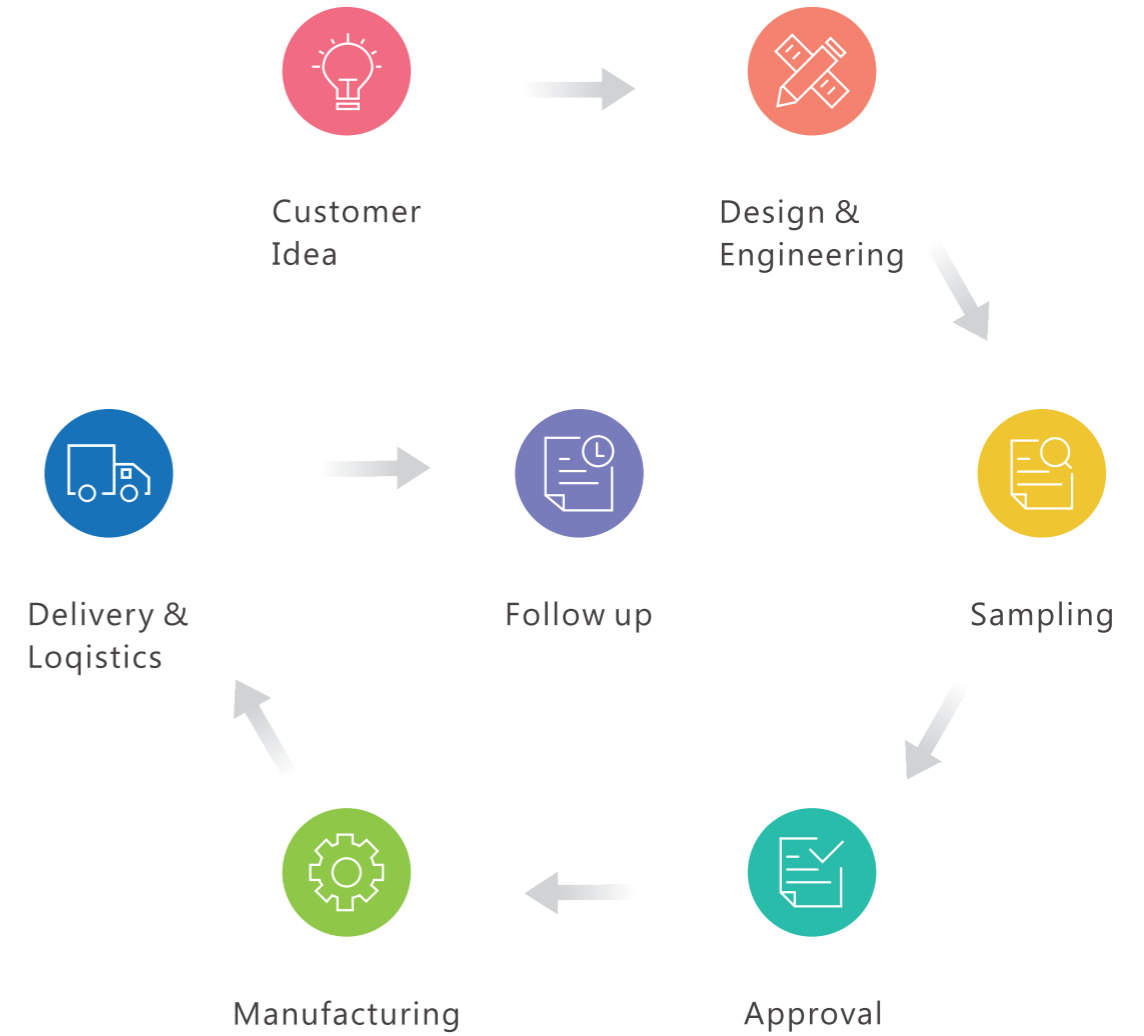
Reliant Industrial Corp. Limited established in 2005, now we have 30,000 sqm of production facilities and more than 200 employees. Specialists in Wire Forming, Metal Stamping, Tube Forming, Welding, Plastic Molding and Dia Casting on the store fixtures and accessories.

We pride ourself on high product quality at competitive pricing, along with the extremely good customer service.

As manufactures, we have the capability to produce any specific style you require, we welcome the challenge to create that complex and bespoke products for you.

By our professional and expertise, our business had covered around the world, including the retail stores, restaurants, public places and hotels.

No matter where are you from, Reliant will be your reliant choice.



NOTES:

.....

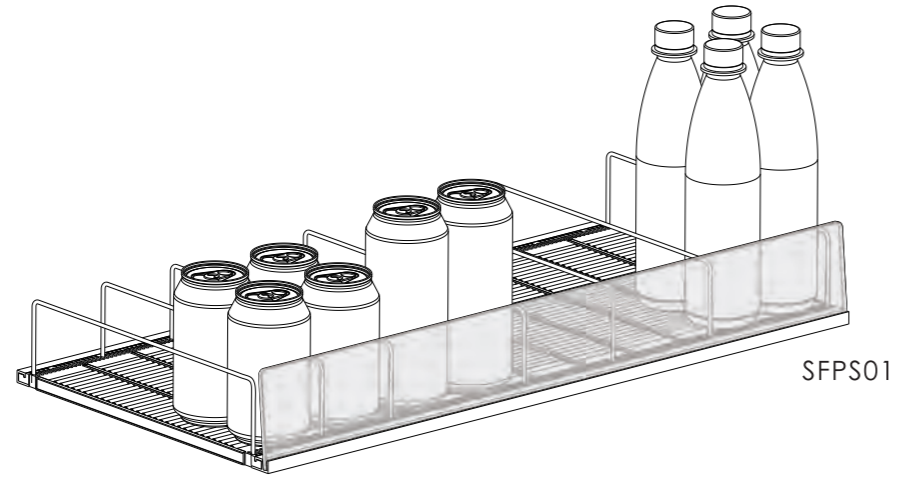
.....

.....

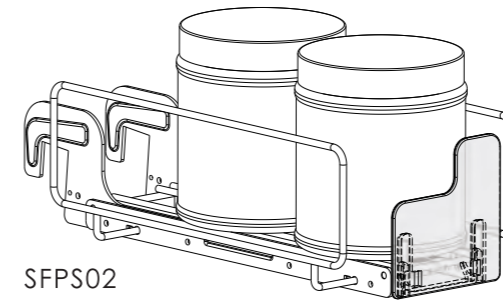
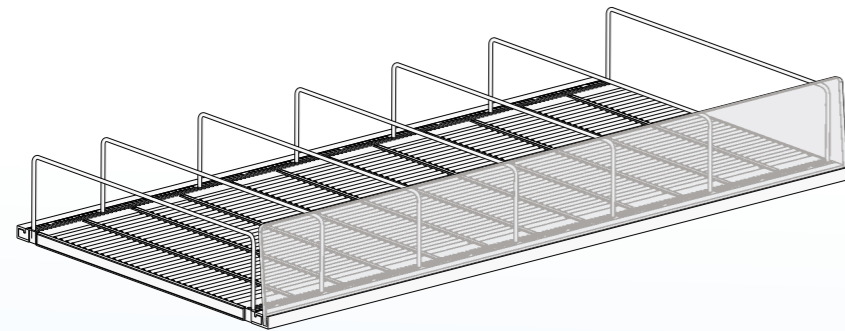
.....

.....

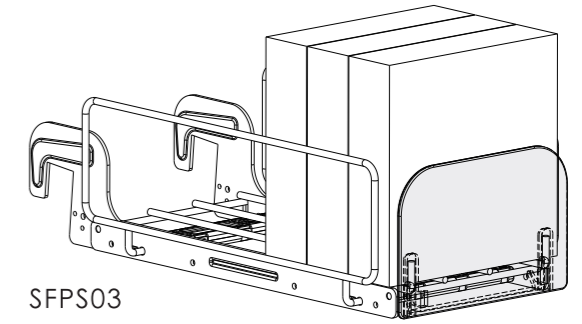
.....



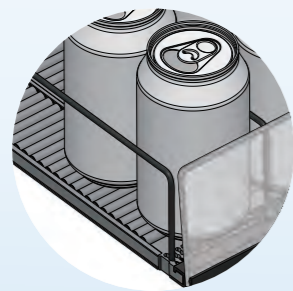
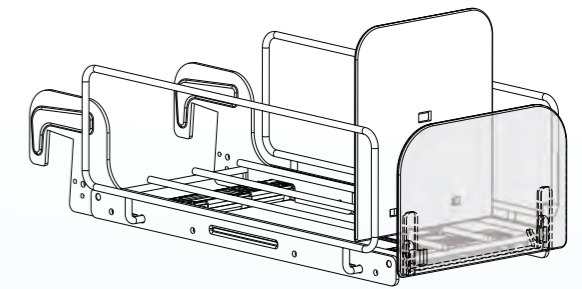
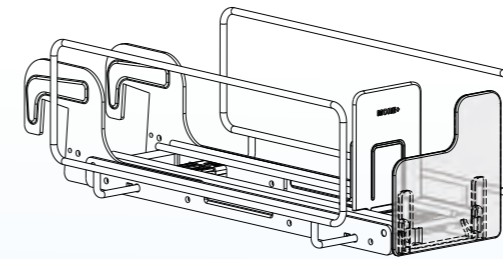
SFPS01



SFPS02

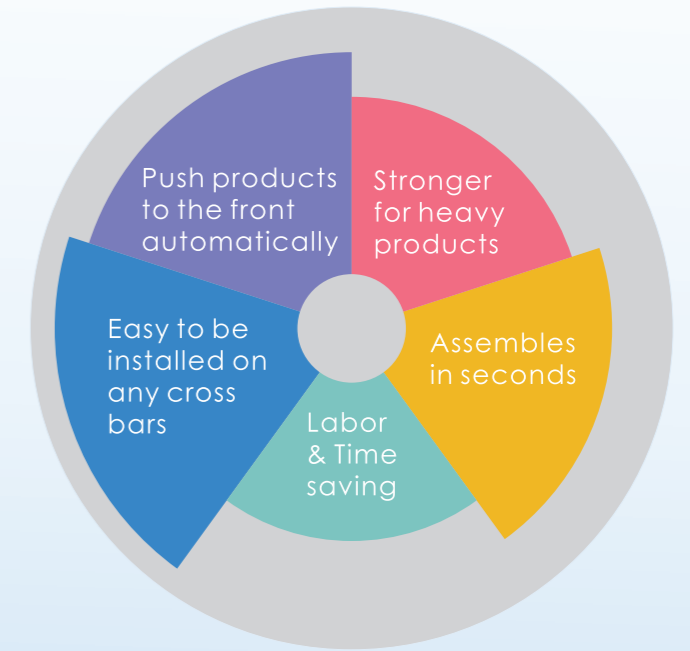
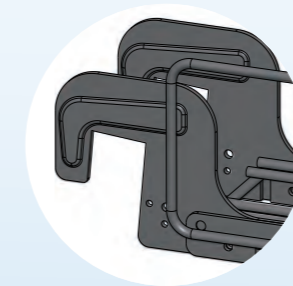


SFPS03



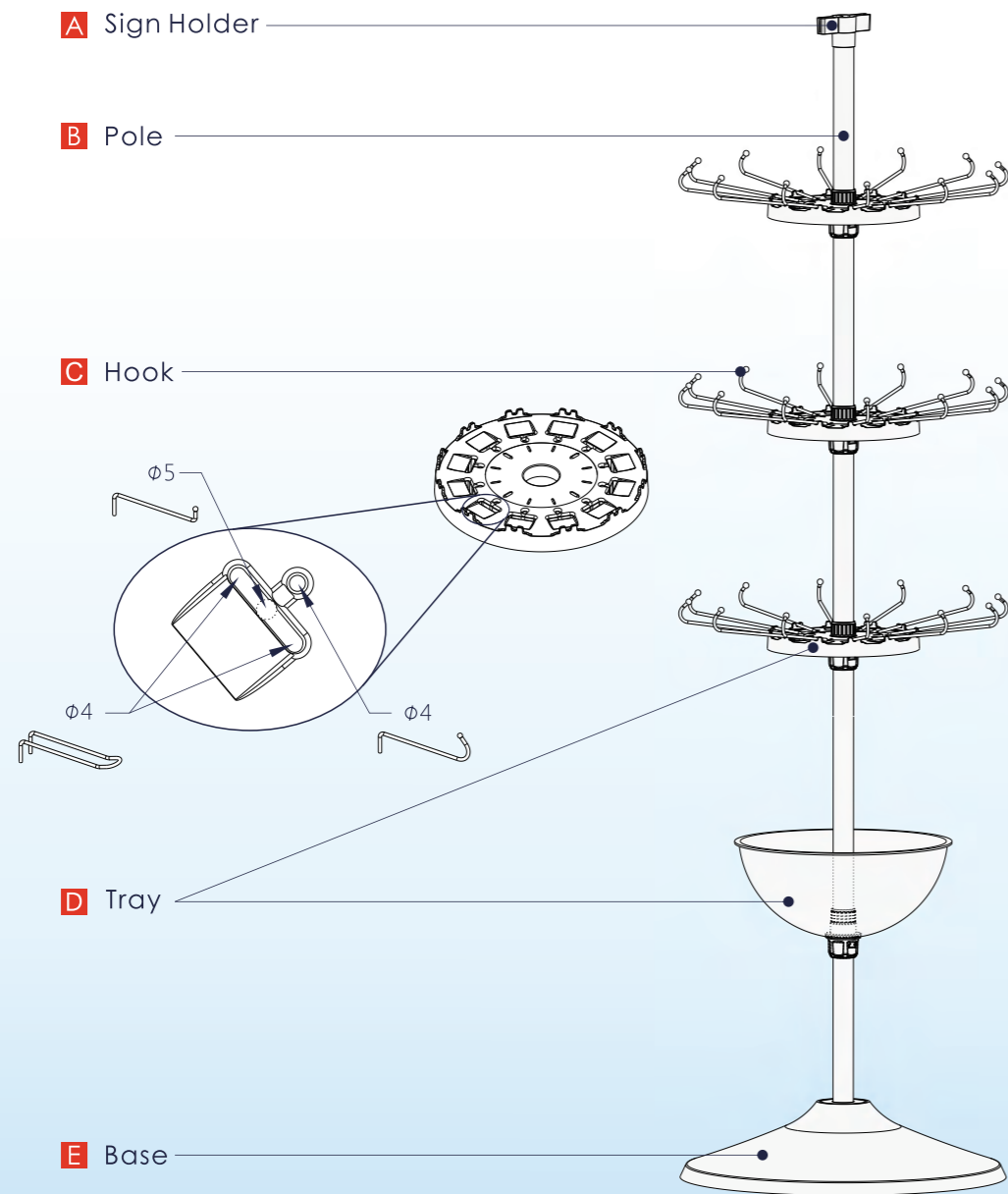
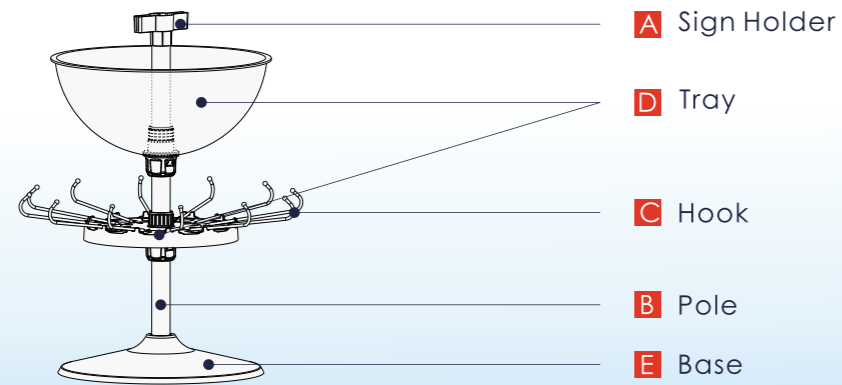
Shelf Pusher System

No.	Width	Depth	Material	Color
SFPS01	8" - 35"	12" - 18"	Steel/Aluminum/ABS	Customized



Shelf Pusher System

No.	Width	Depth	Material	Finish
SFPS02	3" - 8"	12" - 18"	Steel / ABS	Powder Coating
SFPS03	5" - 12"	12" - 18"	Steel / ABS	Powder Coating



C Hook Options

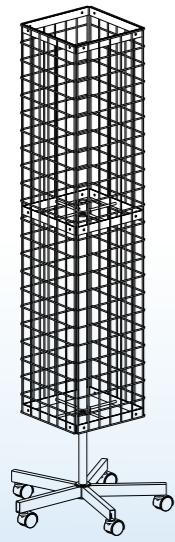
No.	Model	Desc.	Size	Dia.	Finish
01		Ball-End hooks	100mm/ 150mm/ 200mm/ 250mm	4mm/ 5mm	Galvanized, Chrome Plating
02		Ball-End J-hooks	100mm/ 150mm/ 200mm/ 250mm	4mm/ 5mm	Galvanized, Chrome Plating
03		Loop hooks	100mm/ 150mm/ 200mm/ 250mm	4mm	Galvanized, Chrome Plating

D Tray Options

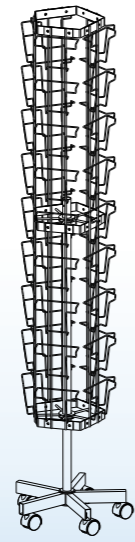
No.	Model	Dimensions	Material	Finish	Color
01		210x210x65mm	ABS	—	Customized
02		300x300x160mm	PMMA	—	Customized
03		410x280x40mm	Steel	Powder Coating	Customized
04		535x535x80mm	Steel	Powder Coating	Customized
05		515x515x30mm	Steel	Powder Coating	Customized

E Base Options

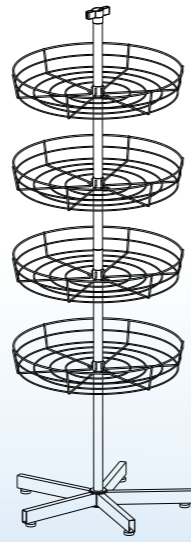
No.	Model	Dimensions	Material	Finish	Color
01		440x440x55mm	ABS	—	Customized
02		280x280x55mm	ABS	—	Customized
03		450x450x105mm	ABS	—	Customized
04		535x565x70mm	Steel	Powder Coating	Customized



SFDS01

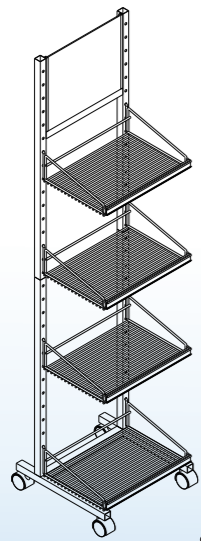


SFDS02

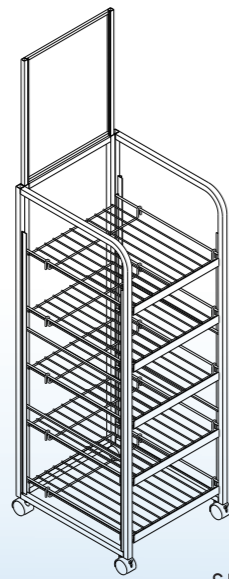


SFDS03

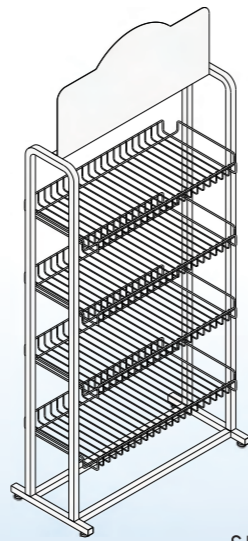
No.	Dimensions	Material	Finish	Color
SFDS01	535x565x1800mm	Steel	Powder Coating	Customized
SFDS02	370x390x1800mm	Steel	Powder Coating	Customized
SFDS03	555x565x1650mm	Steel	Powder Coating	Customized



SFDS04



SFDS05



SFDS06

No.	Dimensions	Material	Finish	Color
SFDS04	380x380x1575mm	Steel	Powder Coating	Customized
SFDS05	480x525x1770mm	Steel	Powder Coating	Customized
SFDS06	800x380x1525mm	Steel	Powder Coating	Customized

Wire Forms

No.	Model	Diameter	Useable Length
SFWF01		0.148"/0.187"/0.225"	2"/4"/6"/8"
SFWF02		0.148"/0.187"/0.225"	2"/4"/6"/8"
SFWF03		0.148"/0.187"/0.225"	4"/6"/8"/10"
SFWF04		0.148"/0.187"/0.225"	4"/6"/8"/10"
SFWF05		0.187"/0.225"	4"/6"/8"/10"
SFWF06		0.187"/0.225"	4"/6"/8"/10"
SFHK01		0.187"/0.225"	4"/6"/8"/10"
SFHK02		0.187"/0.225"	4"/6"/8"/10"
SFHK03		0.187"/0.225"	4"/6"/8"/10"

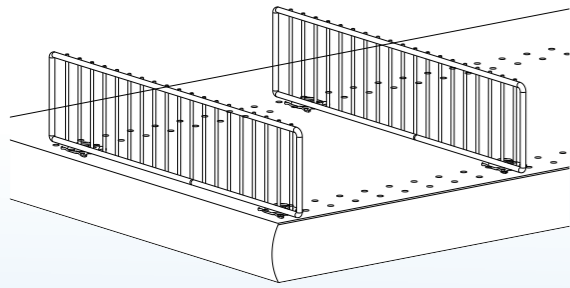
Back Plates

No.	Model
BP01	
BP02	
BP03	
BP04	
BP05	
BP06	
BP07	
BP08	
BP09	

Surface Finish: Powder Coating, Galvanized, Chrome Plating
 Back plates can be combined with the above wire forms to fit the pegboard, slotwall, grid, side wing and cross bar.

Plastic Hooks

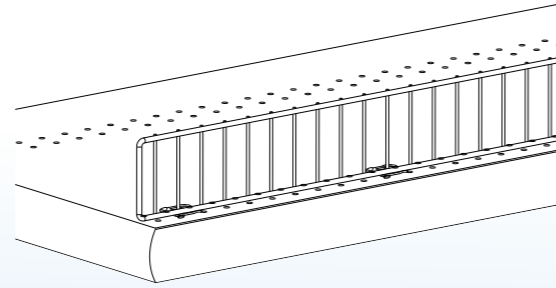
No.	Model	Material	Useable Length	Color
SFPH01		ABS	2"/3"/4"/5"/6"	White/ Customized
SFPH02		ABS	3"/4"/5"/6"/8"	White/ Customized
SFPH03		ABS	3"/4"/6"/8"	White/ Customized
SFPH04		ABS	1"/2"	White/ Customized



SFWD03

Wire Dividers

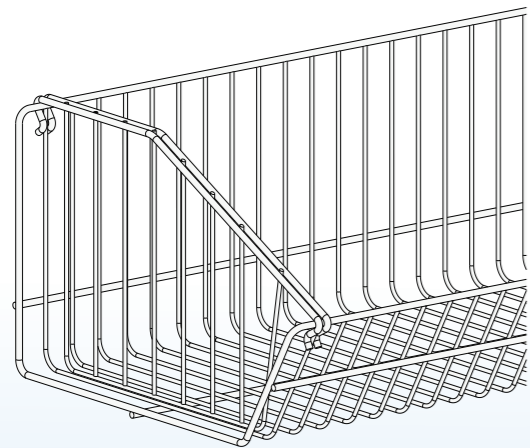
No.	Height	Depth	Finish
SFWD03	3"	13" / 15" / 16" / 17"	Powder Coating, Galvanized, Chrome Plating
SFWD05	5"	22"	Chrome Plating



SFFF03

Front Fences

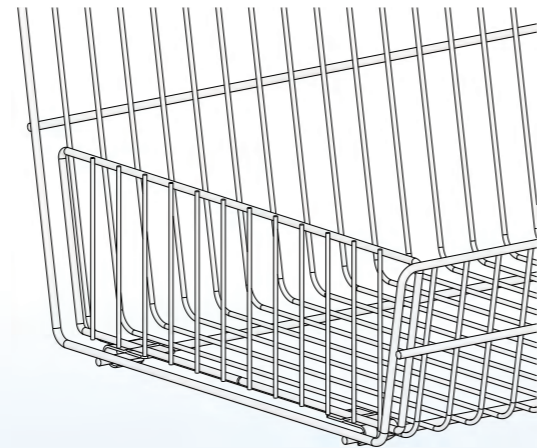
No.	Height	Depth	Finish
SFFF03	3"	36" / 48"	Powder Coating, Galvanized, Chrome Plating
SFFF05	5"		Chrome Plating



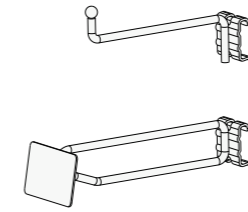
SFDE09

Dividers For Endless Basket

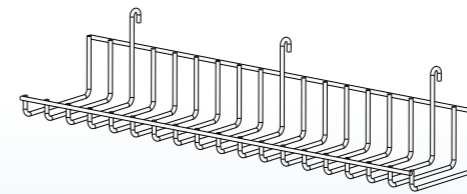
No.	Height	Depth	Finish
SFDE09	9"	9" / 12" / 14"	Powder Coating, Galvanized, Chrome Plating
SFDE05	5"	9" / 12" / 14"	Chrome Plating



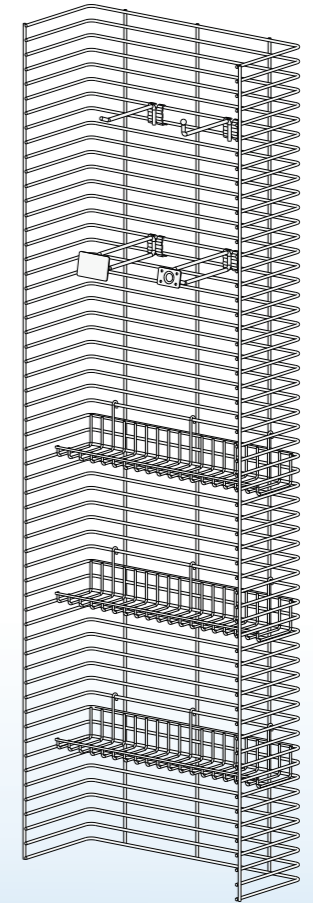
SFDE05



Hooks available for side wing

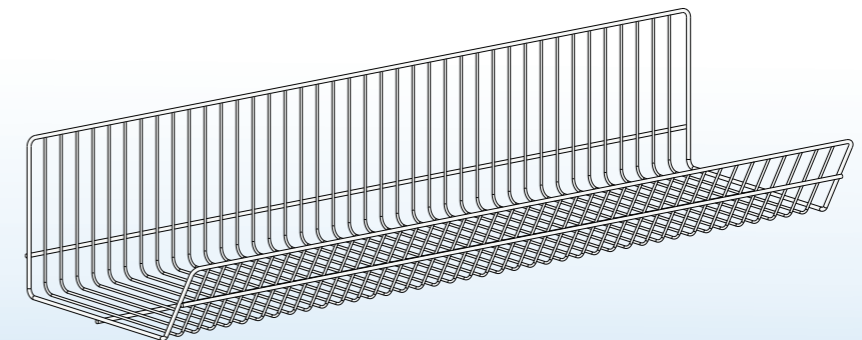


Wire Shelf available for side wing



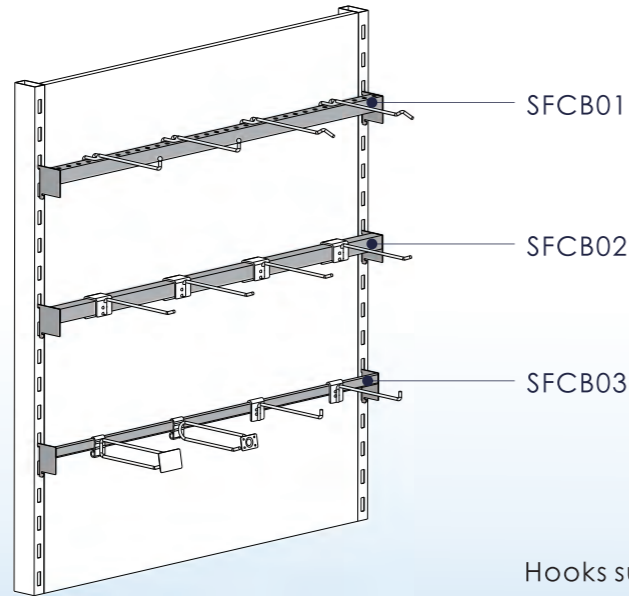
Side Wings

No.	Width	Height	Depth	Finish
SFSW01	15"	48"	4"	Powder Coating, Galvanized



Endless Baskets

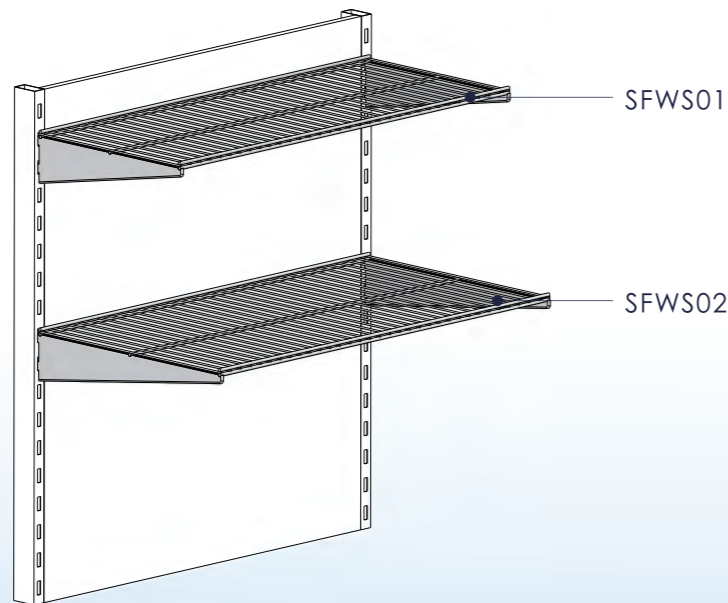
No.	Depth	Length	Finish
SFEB09	9"	36" / 48"	Powder Coating, Galvanized
SFEB12	12"	36" / 48"	
SFEB14	14"	36" / 48"	



Cross Bars

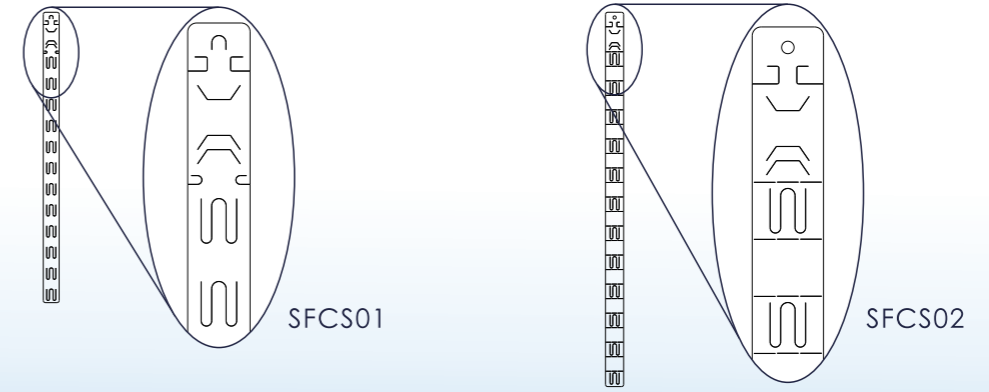
Hooks supplied separately

No.	Desc.	Length	Finish
SFCB01	1"x 1"/1"x 2"	36"/ 48" with holes	Powder Coating
SFCB02	1"x 1"/1"x 2"	36"/ 48"	Galvanized
SFCB03	3/16"x 1" flat wire	36"/ 48"	Chrome Plating



Wire Shelves

No.	Depth	Length	Material	Finish
SFWS01	14"	36"/ 48"	Steel	Powder Coating
SFWS02	18"	36"/ 48"	Steel	



Plastic Clip Strips

No.	Thickness	Total Length	No. of Station	Material	Color
SFCS01	1/32"	25"	12	PP	Transparent/
SFCS02	1/32"	32.5"	12	PP	Customized

Tube End Caps

No.	Model	Size	Material	Color
SFEP01		Apply for 0.5"x1" 14-18ga tube	ABS/PE	White/ Black/ Grey/ Customized
SFEP02		Apply for 0.5"x1.5" 14-18ga tube	ABS/PE	
SFEP03		Apply for 1"x1" 14-18ga tube	ABS/PE	
SFEP04		Apply for 1"x2" 14-18ga tube	ABS/PE	
SFEP05		Apply for 2"x2" 14-18ga tube	ABS/PE	

Plastic Rivets

No.	Model	No.	Model	No.	Model
PF 1-1/ PF 1-2		PF 2-1		PF 3-1/ PF 3-2	
PF 4-1/ PF 4-6		PF 5-1/ PF 5-4		PF R-3035/ PF R-3055	
PF 6-1a/ PF 6-1b		PF 6-2a/ PF 6-2b		PF 7-1/ PF 7-2	

Material: PA66 / PA6 / PC

Color: White/Black/ Grey/ Customized